

Coming soon

80W FET Driver Reference Module with 1672-VCSEL Array

November 2020

80W FET Driver Reference Module with 1672-VCSEL Array



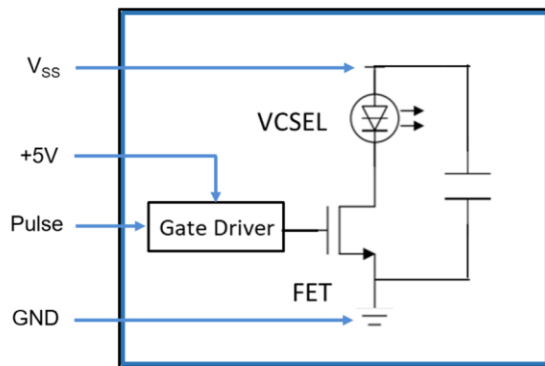
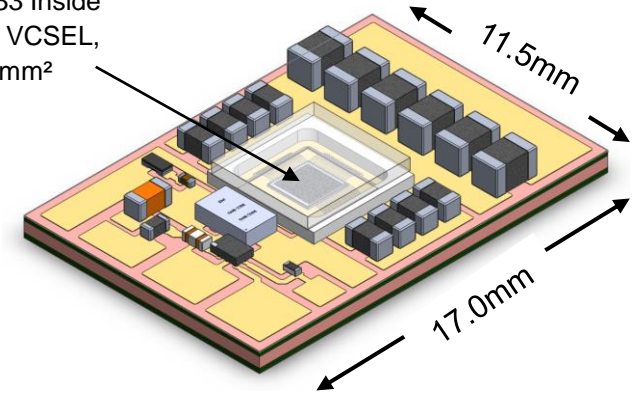
Fast short-pulsed laser with an integrated driver circuit incorporates GaN FET & VCSEL on a Copper Core PCB with Cu pedestals.

Design simplicity for ToF applications by incorporating driver, VCSEL, thermal pad for heat sink, & timing alignment signal (TAL) all in one die

This approach benefits customers by offering:

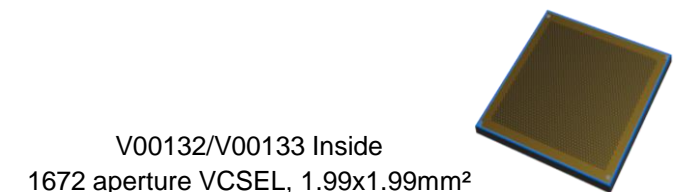
- ✓ Reduced inductance
- ✓ Rise / fall times of 12 ns
- ✓ Pulse width from 10 to 100ns
- ✓ Minimal wavelength shift over temperature (<0.07 nm/K)

V00132/V00133 Inside
1672 aperture VCSEL,
1.99x1.99mm²



Wavelengths	850nm, 940nm
Supply Voltage	< 50V
Pulse Current	<100A
Pulse Width	10ns – 100ns
Peak optical Power	80W
Temperature Range	-40C to 105C

Conf.	Wavelength	Pulsed Power	VCSEL Config	# Junctions
A	940 nm	80 W	1xV00132	1
B	850 nm	80 W	1xV00133	1

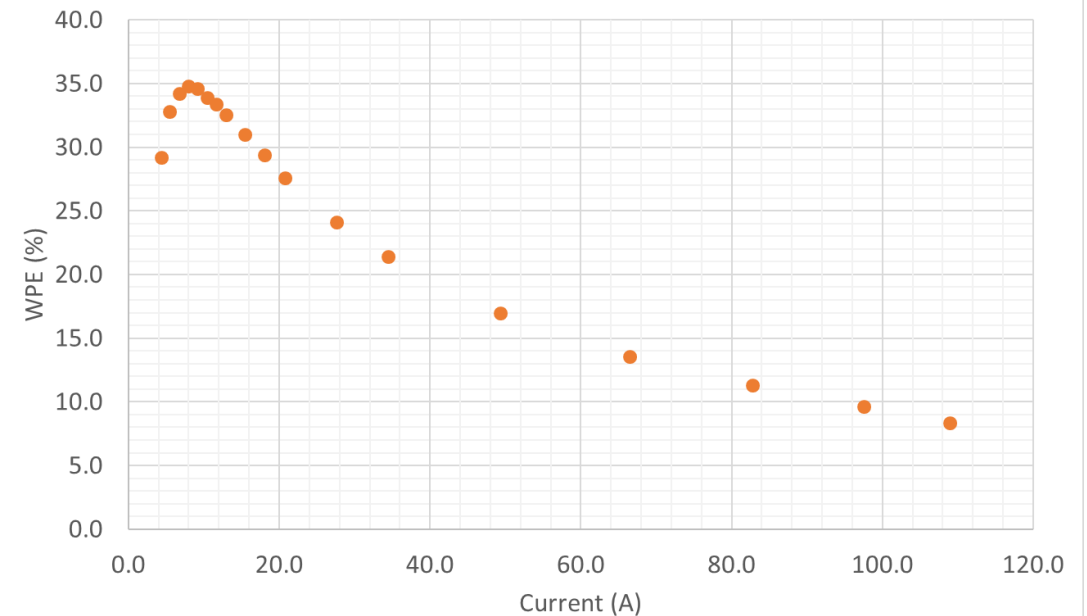
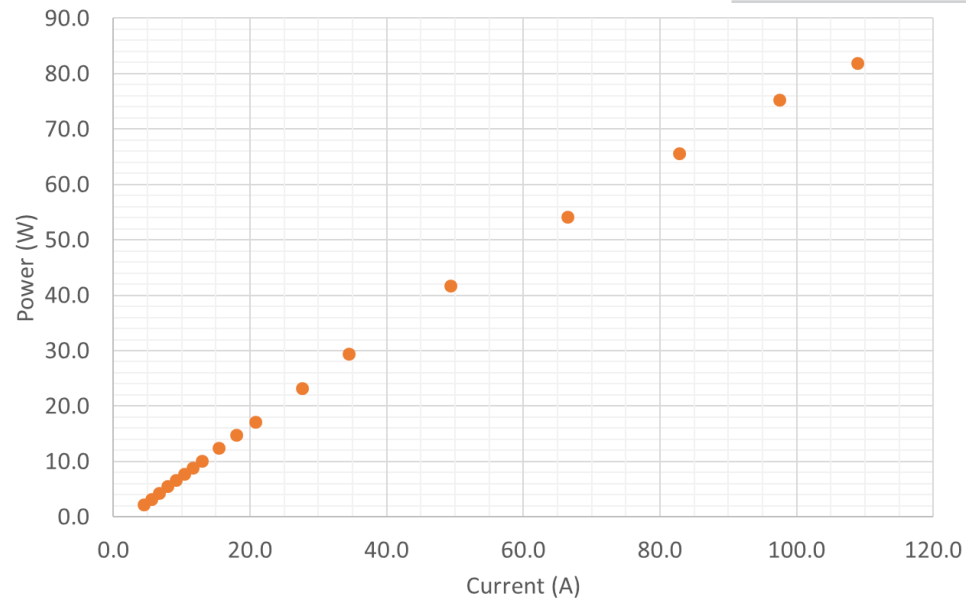


80W FET Driver Reference Module with 10W VCSEL Array



The Reference Board is designed to provide a quick start with Vixar's power arrays.
Availability: 6 weeks after the request

Pulse Data : $t_p = 50\text{ns}$; DC = 1%



Please contact sales@vixarinc.com or your local sales contact.

THANK YOU.