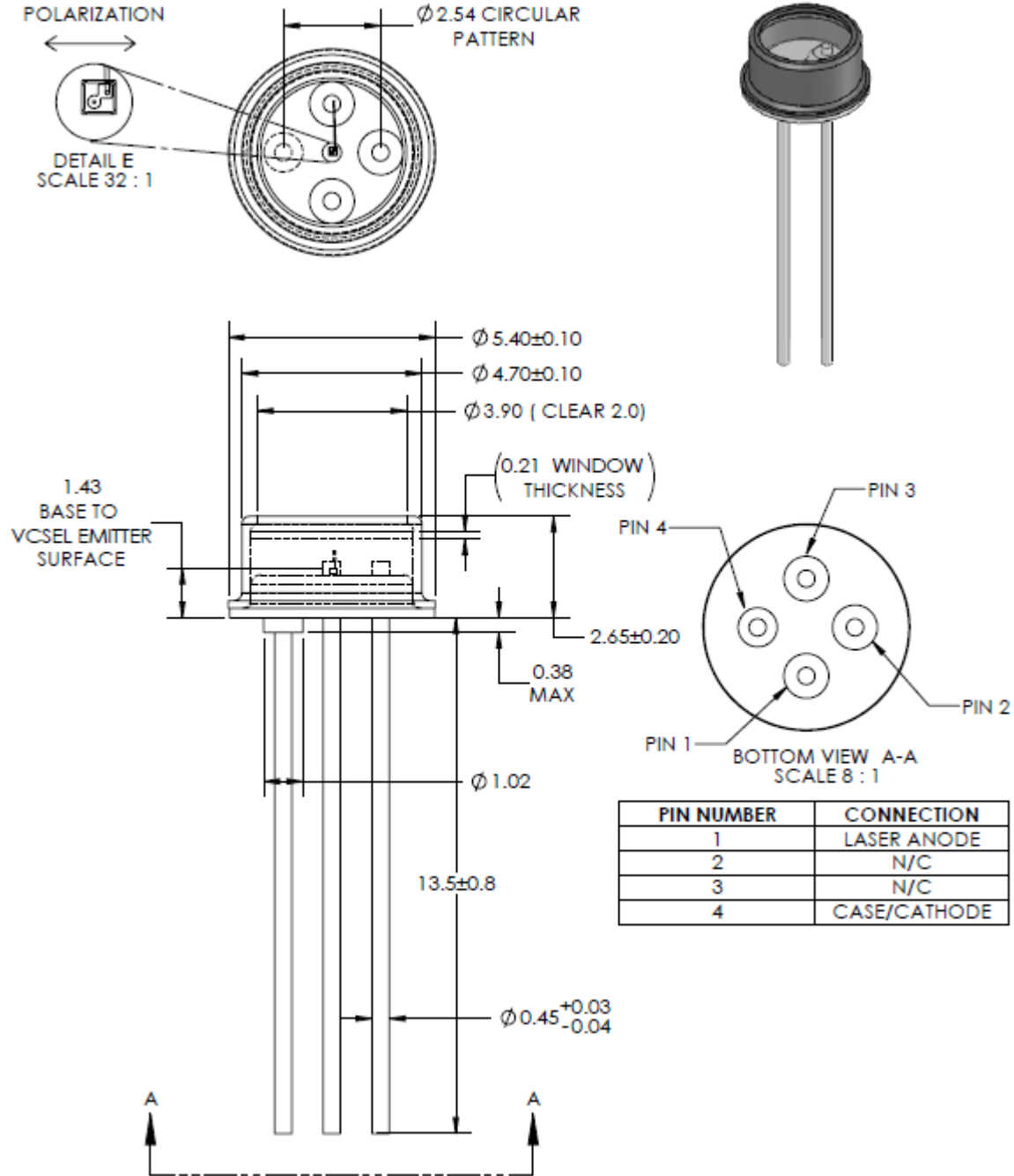
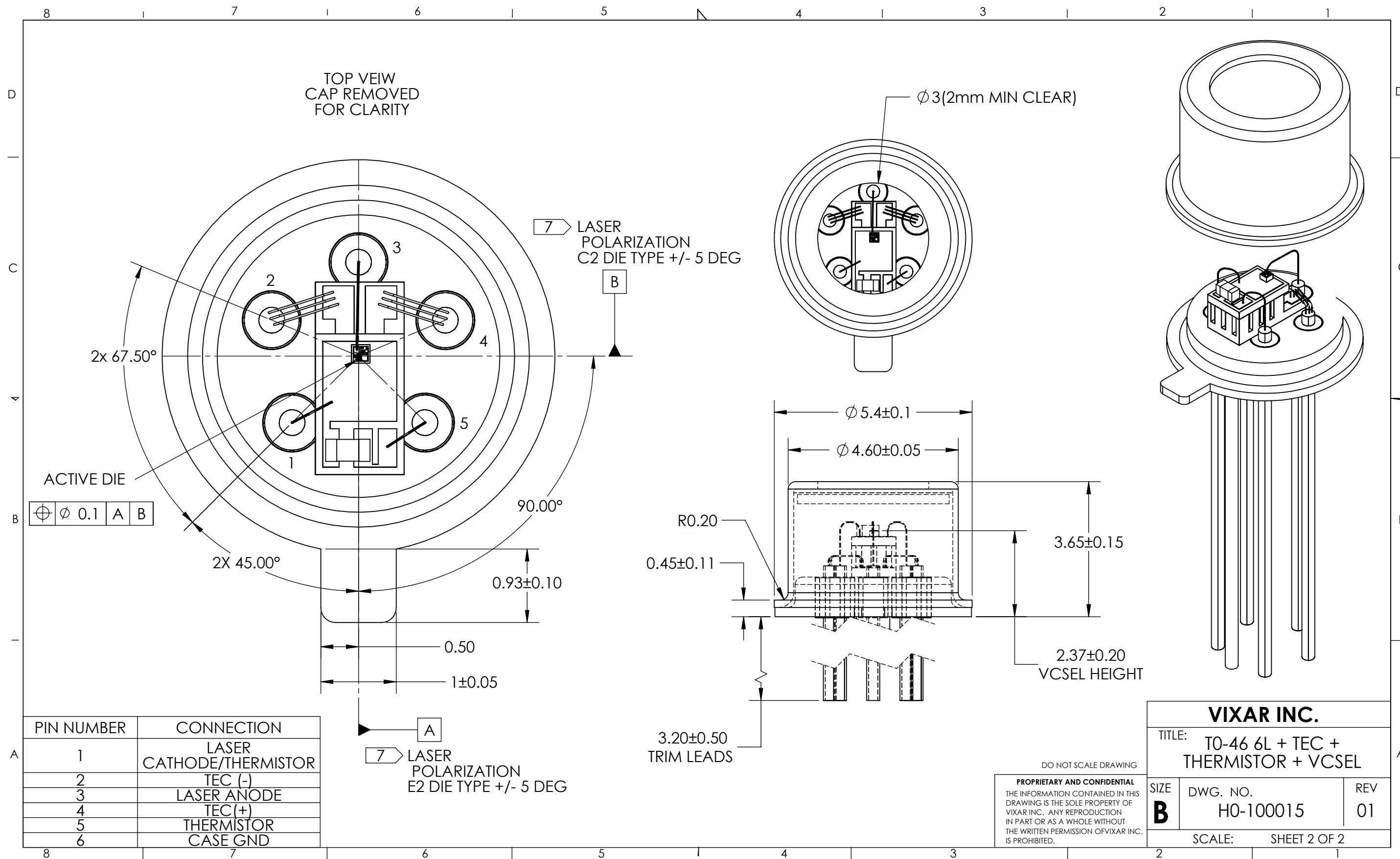


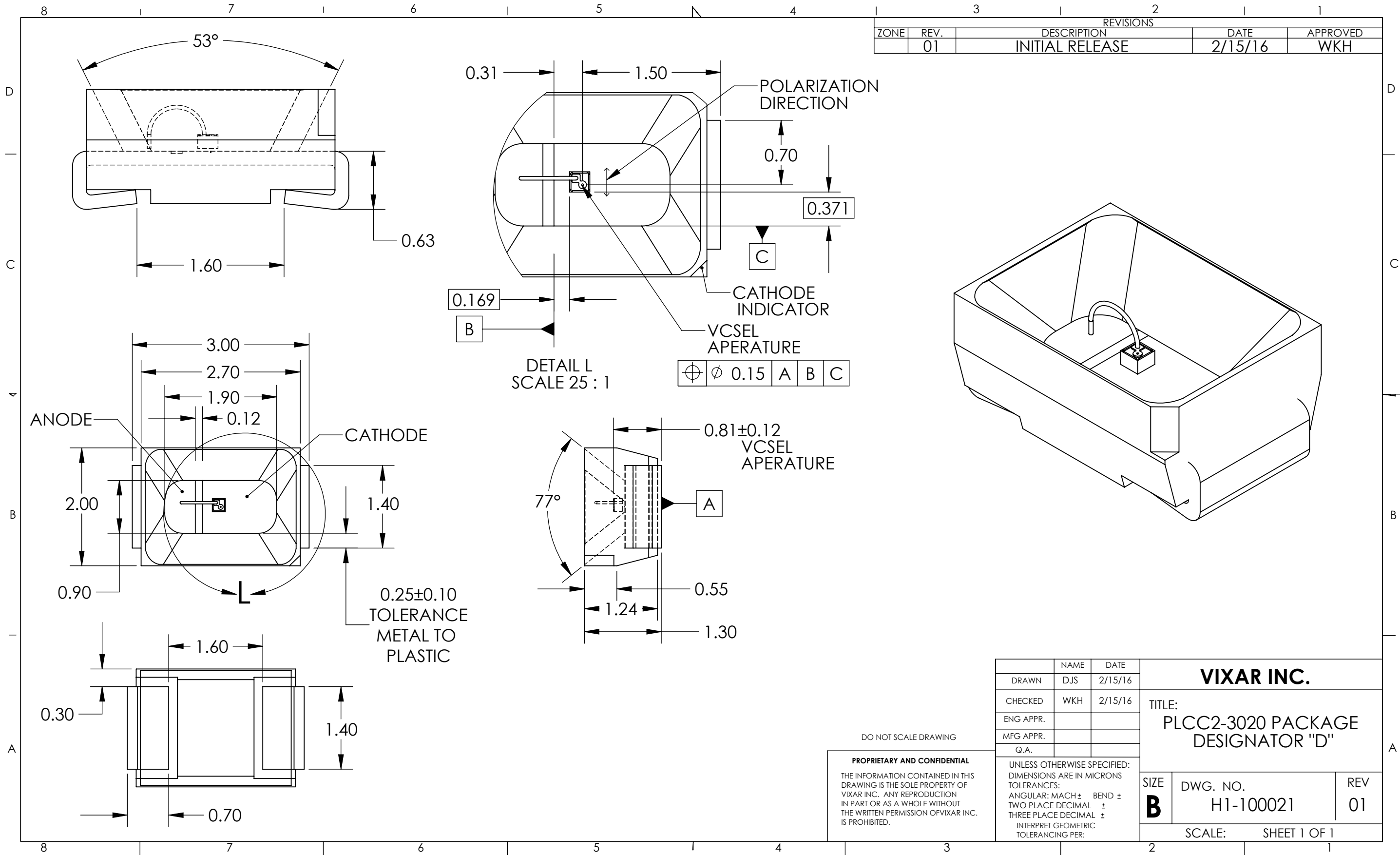
TO-46 4 Leaded Package Dimensions



Note 1: Vixar also uses a window cap with 3 mm diameter window opening (2 mm Clear)



REVISIONS				
ZONE	REV.	DESCRIPTION	DATE	APPROVED
	01	INITIAL RELEASE	2/15/16	WKH



\varnothing	\varnothing 0.15	A	B	C
---------------	--------------------	---	---	---

DETAIL L
SCALE 25 : 1

	NAME	DATE
DRAWN	DJS	2/15/16
CHECKED	WKH	2/15/16
ENG APPR.		
MFG APPR.		
Q.A.		

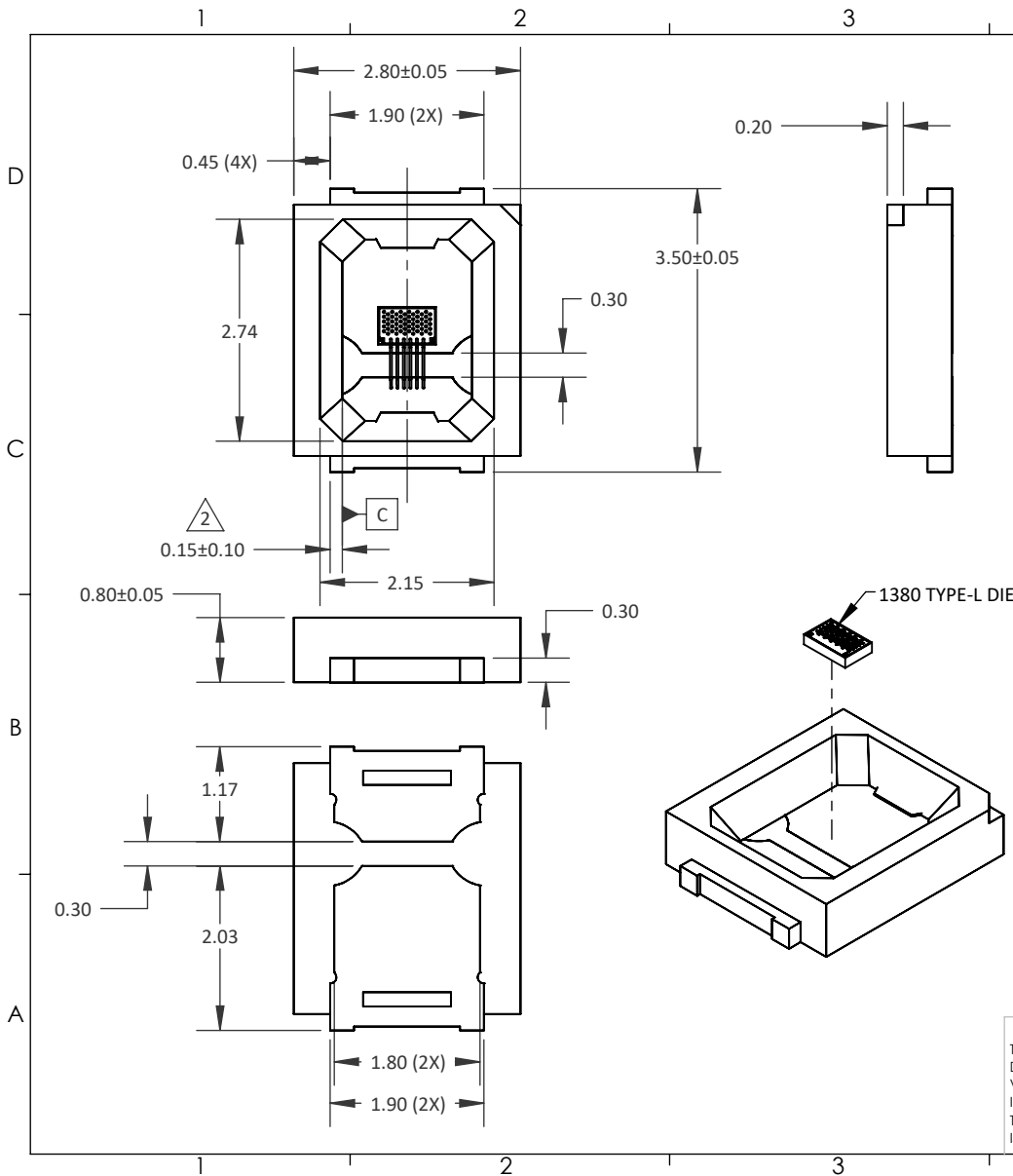
VIXAR INC.		
TITLE: PLCC2-3020 PACKAGE DESIGNATOR "D"		
SIZE B	DWG. NO. H1-100021	REV 01
SCALE:		SHEET 1 OF 1

DO NOT SCALE DRAWING

PROPRIETARY AND CONFIDENTIAL


THE INFORMATION CONTAINED IN THIS DRAWING IS THE SOLE PROPERTY OF VIXAR INC. ANY REPRODUCTION IN PART OR AS A WHOLE WITHOUT THE WRITTEN PERMISSION OF VIXAR INC. IS PROHIBITED.

UNLESS OTHERWISE SPECIFIED:
DIMENSIONS ARE IN MICRONS
TOLERANCES:
ANGULAR: MACH ± BEND ±
TWO PLACE DECIMAL ±
THREE PLACE DECIMAL ±
INTERPRET GEOMETRIC
TOLERANCING PER:



REVISION HISTORY			
REV.	DESCRIPTION	DATE	APPROVED
01	INITIAL RELEASE	04/03/2017	WKH

NOTES:

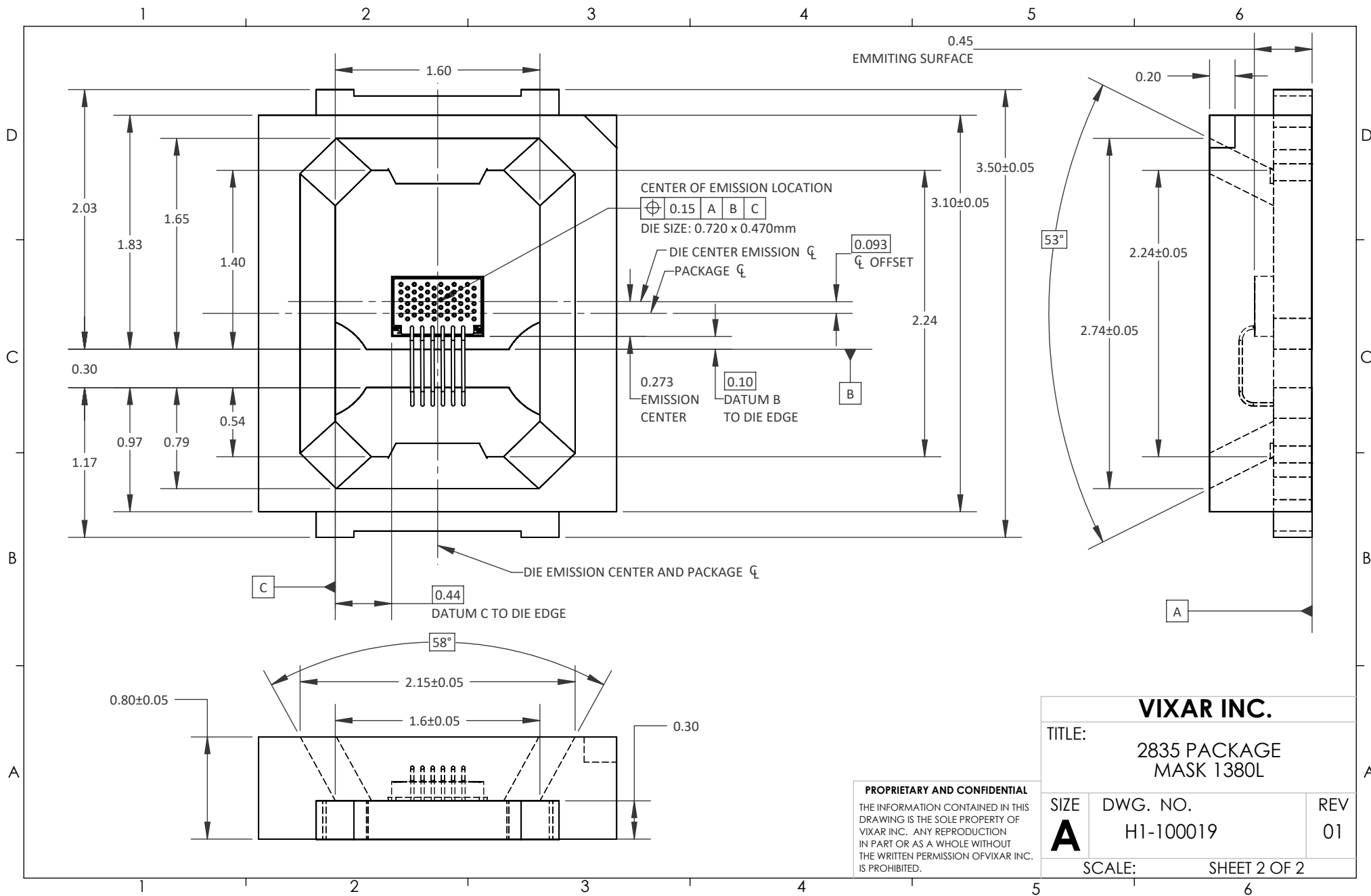
- ASSEMBLIES SHALL BE SHIPPED IN TAPE AND REEL THEN PACKAGED INTO MOISTURE BARRIER BAG (MBB) WITH DESICCANT. THE MBB SHALL INCLUDE A LOT TRACKING LABEL THAT INCLUDES VIXAR'S PN, PACKAGE ASSEMBLY LOT CODE, MONTH AND YEAR OF ASSEMBLY, QUANTITY, AND BIN NUMBER. CONTACT VIXAR FOR DETAILS REGARDING LABELING.
-  DIMENSION IS FROM DATUM C (PLASTIC EDGE) TO METAL LEAD FRAME WITH A TOLERANCE BETWEEN METAL LEAD FRAME AND MOLDED PACKAGE OF ± 0.15 .

PROPRIETARY AND CONFIDENTIAL
 THE INFORMATION CONTAINED IN THIS DRAWING IS THE SOLE PROPERTY OF VIXAR INC. ANY REPRODUCTION IN PART OR AS A WHOLE WITHOUT THE WRITTEN PERMISSION OF VIXAR INC. IS PROHIBITED.

	NAME	DATE
DRAWN	CK	04/03/17
CHECKED	WKH	04/03/17
ENG APPR.		
MFG APPR.		
Q.A.		

UNLESS OTHERWISE SPECIFIED:
 DIMENSIONS ARE IN MILLIMETER
 TOLERANCES:
 ANGULAR: MACH \pm BEND \pm
 TWO PLACE DECIMAL \pm
 THREE PLACE DECIMAL \pm
 INTERPRET GEOMETRIC
 TOLERANCING PER:

VIXAR INC.		
TITLE: 2835 PACKAGE MASK 1380L		
SIZE A	DWG. NO. H1-100019	REV 01
SCALE:		SHEET 1 OF 2



PROPRIETARY AND CONFIDENTIAL
 THE INFORMATION CONTAINED IN THIS
 DRAWING IS THE SOLE PROPERTY OF
 VIXAR INC. ANY REPRODUCTION
 IN PART OR AS A WHOLE WITHOUT
 THE WRITTEN PERMISSION OF VIXAR INC.
 IS PROHIBITED.

VIXAR INC.		
TITLE:		
2835 PACKAGE MASK 1380L		
SIZE	DWG. NO.	REV
A	H1-100019	01
SCALE:		SHEET 2 OF 2

